

Getting Started with



Contents

Programming Garage Door Openers and Gates	2
Precautions	2
Programming	2
Rolling Code Programming	2
Canadian Programming/Gate Programming.....	3
Operating the HomeLink Wireless Control System.....	3
Reprogramming a Single HomeLink Button	3
Erasing Channels	4
Accessories	4
Programming Home Lighting Components	5
Preparation	5
Vehicle Interface	5
Lamp Module.....	5
Home Control Unit.....	6
Reloading Previously Programmed Devices.....	6
Programming Door Locks.....	7
Programming Other RF and Non-RF Devices.....	7

Programming Garage Door Openers and Gates

Both standard and rolling code-equipped garage door openers and gates can be programmed by following the outlined procedures.

Precautions



When programming the HomeLink® Wireless Control System, you may be operating a garage door or other device. Make sure that people and objects are out of the way to prevent potential harm or damage.

Do not use this HomeLink Wireless Control System with any garage door opener that lacks the safety stop and reverse feature as required by federal safety standards. (This includes any garage door opener model manufactured before April 1, 1982.) A garage door opener which cannot detect an object, signaling the door to stop and reverse, does not meet current federal safety standards. Using a garage door opener without these features increases risk of serious injury or death. For more information, please visit our Web site, www.homelink.com.

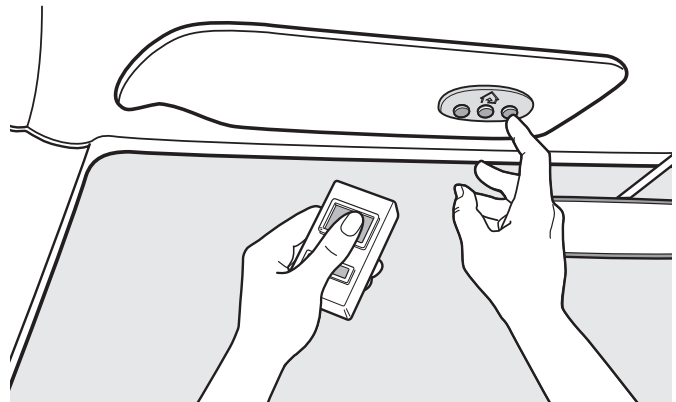
Retain the original transmitter for further programming procedures (i.e., new vehicle purchase). It is also suggested that upon the sale of the vehicle, the programmed HomeLink Wireless Control System channels be erased for security purposes.

Programming

Note: For best results, replace the battery in the handheld transmitter with a new battery before programming. If your garage door opener receiver (located in the garage) is equipped with an antenna, make sure the antenna is hanging straight down.

1. For first-time programming, press and hold the two outside buttons until the indicator light begins to flash (after 20 seconds). Release both buttons.
Note: Some vehicles may require the ignition switch to be turned to the second (or “accessory”) position during the programming process.

2. Hold the end of your handheld transmitter between 1 and 3 inches away from the HomeLink surface (located on your visor or overhead console) keeping the indicator light in view.
3. Using both hands, simultaneously push the handheld transmitter button and the desired HomeLink button. DO NOT release the buttons until step 4 has been completed.



4. Hold down both buttons until the indicator light on the HomeLink Wireless Control System flashes, first slowly then rapidly. When the indicator light flashes rapidly, both buttons may be released. (The rapidly flashing light indicates successful programming of the new frequency signal.) To activate the garage door or other programmed device, press and hold the HomeLink button—releasing when the device begins to activate.
 5. To program the remaining two buttons, follow steps 2 through 4.
-

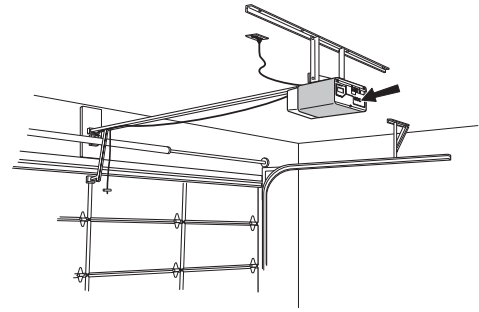
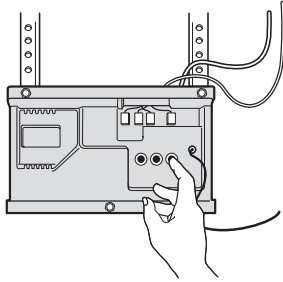
Rolling Code Programming

Rolling code garage door openers which are “code-protected” and manufactured after 1996 may be determined by the following:

- Reference the garage door opener owner’s manual for verification.
- The handheld transmitter appears to program the HomeLink Universal Transceiver but does not activate the garage door.
- Press and hold the trained HomeLink button. The garage door opener has the rolling code feature if the indicator light flashes rapidly and then turns solid after 2 seconds.

To train a garage door with the rolling code feature, follow these instructions (the aid of a second person may make the training quicker and easier):

1. Locate the training button on the garage door opener motor head unit. Exact location and color of the button may vary by garage door opener brand. If there is difficulty locating the training button, reference the garage door opener owner's manual or please visit our Web site at www.homelink.com.
2. Press the training button on the garage door opener motor head unit (which activates the "training light"). **Note:** Following step 2, there are 30 seconds in which to initiate step 3.
3. Firmly press and release the programmed HomeLink® button. Press and release the HomeLink button a second time to complete the training process. (Some garage door openers may require you to do this procedure a third time to complete the training.)



The garage door opener should now recognize the HomeLink Wireless Control System. The remaining two buttons may now be trained if this has not previously been done. Refer to the Programming portion of this text. The HomeLink Wireless Control System (once programmed) or the original handheld transmitter may be used to activate the garage door. In the event that there are still difficulties in programming the HomeLink Wireless Control System, please visit our Web site, www.homelink.com.

Canadian Programming/Gate Programming

During programming, your handheld transmitter may automatically stop transmitting. Continue to press the HomeLink Wireless Control System button (note steps 2 through 4 in the Programming portion of this document, found on page 2) while you press and re-press ("cycle") your handheld transmitter every two seconds until the frequency signal has been learned. The indicator light will flash slowly and then rapidly after several seconds upon successful training.

Operating the HomeLink Wireless Control System

Once programmed, the HomeLink Wireless Control System can be used in place of handheld transmitters. To operate, simply press the appropriate button on the HomeLink Wireless Control System. (The indicator light will activate, noting that the signal is being transmitted.) Activation will now occur for the trained product (garage door, security system, entry door lock, estate gate, or home or office lighting).

Note: Some vehicles may require the ignition switch to be turned to the second (or "accessory") position for operation when the vehicle's motor is not already engaged.

Reprogramming a Single HomeLink Button

To program a device to HomeLink using a HomeLink button previously trained, follow these steps:

1. Press and hold the desired HomeLink button. Do NOT release until step 4 has been completed.
2. When the indicator light begins to flash slowly (after 20 seconds), position the handheld transmitter 1 to 3 inches away from the HomeLink surface.
3. Press and hold the handheld transmitter button. The HomeLink indicator light will flash, first slowly and then rapidly.
4. When the indicator light begins to flash rapidly, release both buttons.

The previous device has now been erased and the new device can be activated by pushing the HomeLink button that has just been programmed. This procedure will not affect any other programmed HomeLink buttons.

Erasing Channels

Individual buttons cannot be erased. However, to erase all three programmed buttons:

1. Press and hold the two outside buttons until the indicator light begins to flash (after 20 seconds).
2. Release both buttons.

The HomeLink® Wireless Control System is now in the training (learning) mode and can be programmed at any time following steps 2 through 4 in the Programming section on page 2.

Accessories

If you would like additional information on the HomeLink Wireless Control System, HomeLink-compatible products, or to purchase other accessories such as the HomeLink Lighting Package, please visit our Web site at www.homelink.com.

Programming Home Lighting Components

To inquire about lighting components or to purchase a HomeLink® Lighting Package, please visit our Web site at www.homelink.com.

Preparation

Preparing to program the lighting components requires erasing any device (i.e., garage door openers, security systems, entry door locks) that has been programmed into HomeLink by performing the following procedure:

Press and hold the two outside HomeLink Wireless Control System buttons. The indicator light will turn from a solid light to a flashing light after 20 seconds. Continue to hold the buttons for an additional 10 seconds, releasing only when the indicator light turns off.

Any device that had been programmed into HomeLink is now erased. After programming the lighting modules, you can reprogram the erased devices by following the procedures outlined in this document.

If you have questions at any time during programming, please visit our Web site at www.homelink.com.

Your HomeLink Wireless Control System can now be programmed to activate the lighting components.

Vehicle Interface

The HomeLink Wireless Control System communicates with the Vehicle Interface (module with antenna) to activate home lighting. To program the Vehicle Interface:

1. Move the RUN-INSTALL slide switch to the INSTALL position.
2. Turn the red HOUSE rotary dial to position "A" and the black UNIT rotary dial to number "1."
3. Plug the Vehicle Interface into an outlet, preferably in the garage.
4. Press and hold the HomeLink Wireless Control System button chosen to activate home lighting, releasing when an audible tone is heard from the Vehicle Interface. (If no tone is heard, the vehicle and the Vehicle Interface may need to be closer to each other during this procedure.)
5. After the tone is heard, move the RUN-INSTALL slide switch to the RUN position.

The Vehicle Interface is now programmed and can be moved from one outlet to another without losing any programming as long as it remains in the RUN position.

To erase all programming, unplug the interface, move the RUN-INSTALL slide switch to the INSTALL position and plug the Vehicle Interface back into the outlet.

Lamp Module

Note: Use incandescent indoor lights only. 3-way bulbs should be set at their highest setting if used. Do not use fluorescent, sodium, halogen, or mercury lights. To program the lamp module:

1. While in the ON position, unplug the lamp you wish to control with your HomeLink Wireless Control System.
2. Turn the red rotary dial on the Lamp Module to the same letter as your Vehicle Interface (position "A").
3. Turn the black rotary dial to number "1."
4. Plug the lamp into the Lamp Module receptacle and plug into the appropriate outlet.

The lamp is now ready to be activated by pressing the programmed HomeLink button in your vehicle.

To program a second Lamp Module (using the same HomeLink button that will activate the first Lamp Module), follow the procedures outlined above using the same settings as the first Lamp Module (A, 1).

Home Control Unit

In addition to activating lights from the vehicle, the HomeLink® Lighting Package allows you to control individual lights from inside your home with the Home Control Unit. To program the Home Control Unit:

1. Plug the Home Control Unit's power cord into an appropriate functioning outlet.
2. Turn the red rotary dial on the Home Control Unit to the same letter as the Vehicle Interface (position "A").
3. Move the 1-4/5-8 slide switch to the 1-4 position.

1-4	The Home Control Unit has 4 pairs of ON-OFF buttons to control your module groups.
ON/OFF	Press ON/OFF 1 to activate Lamp Modules set at UNIT code one or five. (Press ON/OFF 2 to activate Lamp Modules set at UNIT code two or six, etc.) Note: You can only control lights that are left on manually at the lamp switch.
BRIGHT/DIM	For incandescent lamps. Press the ON button for the light you wish to brighten or dim (button 1, 2, 3, or 4). Press and hold the BRIGHT/DIM button until the desired brightness level is achieved.
ALL Lights On	Pressing this button will simultaneously turn on all the lights set to the same HOUSE code.
ALL Lights OFF	Pressing this button will simultaneously turn on all the lights set to the same HOUSE code.
SELECTOR 1-4, 5-8	Position Selector slide switch to "1-4" to activate Lamp Modules set at UNIT codes 1-4.

Lights connected to Lamp Modules can be turned on with their own power switch by turning the light OFF and then ON at its lamp switch.

Reloading Previously Programmed Devices

To reload the devices previously programmed into the HomeLink Wireless Control System (i.e., garage doors, entry door locks), follow the procedures outlined on page 2, keeping in mind which HomeLink button is now programmed to activate your home lighting.

FCC Caution:

This device complies with Part 15 of the FCC Rules. Operation is subject to the following two conditions: (1) This device may not cause harmful interference, and (2) this device must accept any interferences received, including interference that may cause undesired operation. This equipment generates and uses radio frequency energy and, if not installed and used properly, that is, in strict accordance with the manufacturer's instructions, it may cause interference to radio and television receptions. It has been type tested and found to comply with the limits for remote control devices in accordance with the specifications in Sub-Parts B and C of Part 15 of FCC Rules, which are designed to provide reasonable protection against such interference in a residential installation. However, there is no guarantee that interference will not occur in a particular installation. If this equipment does cause interference to radio or television reception, which can be determined by unplugging the equipment, try to correct the interference by one or more of the following measures:

- Reorient the antenna of the radio/TV experiencing the interference
- Move the Vehicle Interface away from the radio/TV
- Plug the Vehicle Interface into a different electrical outlet than that of the radio/TV experiencing the interference.

If necessary, consult your local dealer for additional suggestions or call 1-800-355-3515 for further assistance.

Note: Modifications to any of the components in this kit will void the user's authority to operate this equipment.

Programming Door Locks

To program an RF entry door lock to HomeLink[®], follow the steps outlined below:

1. Press and hold the desired HomeLink button you wish to use to operate the entry door lock. When pressed, the HomeLink indicator light should be a slow, repetitive flash. If it does not do this, continue to hold the button for 20 seconds. After 20 seconds, the indicator light should begin to flash. **DO NOT RELEASE!**
2. With the HomeLink button pressed and the indicator light flashing slowly, position the door lock's handheld transmitter between 1 and 3 inches away from the HomeLink surface.
3. Press the door lock's handheld transmitter button (the same button used to lock and unlock the door lock) until the HomeLink indicator light begins to flash rapidly. Release both buttons.
4. Return to the door lock and press and release the Learn Button on the Electronic Dead Bolt Power Board.
5. Once this Power Board beeps three times, return to the vehicle and press and release the programmed HomeLink button three times. The third press should activate the door lock.

If you cannot get your door lock to program, visit our Web site at www.homelink.com for further assistance.

Programming Other RF and Non-RF Devices

To program other devices into HomeLink (e.g., home appliances) please contact us on our Web site, www.homelink.com, for specific instructions based on your programming needs.